

INTERACTIVE (TOUCH/ NON-TOUCH FLAT PANEL

IN series



Product Features:

1. 55inch to 110inch available, Android 11, 4+32G up to 8+128G
2. 4K ultra HD display
3. Infrared high precision touch technology, 20 touch points (40 point touch optional).
4. 2.4Ghz + 5GHz(optional) Dual-brand WiFi and Bluetooth.
5. 20 points writing, Dual color pen



Items	55INH	65INH	75INH	86INH	8IN	110INH
Display						
Panel Size	55inch	65inch	75inch	86inch	98inch	110inch
Active Area	1209.6(H)×680.4(V)mm	1428.0(H) × 803.0(V)mm	1650.44(H)×928.6(V)mm	1899.1(H)×1080(V)mm	2158.8(H)×1214.4(V)mm	2436.5(H)*1370.52(V)mm
Aspect Ratio	16:9	16:9	16:9	16:9	16:9	16:9
Contrast Ratio	4000:1	4000:1	4000:1	4000:1	4000:1	4000:1
View angle	178°(H/V)	178°(H/V)	178°(H/V)	178°(H/V)	178°(H/V)	178°(H/V)
Brightness	500nits	500nits	500nits	500nits	500nits	500nits
Resolution	3840*2160	3840*2160	3840*2160	3840*2160	3840*2160	3840*2160
Panel Life	50000hours	50000hours	50000hours	50000hours	50000hours	50000hours
Ambient Light Sensor	optional	optional	optional	optional	optional	optional
Glass Hardness	MOHS 7H, 4mm tempered glass, anti glare					
Touch parameter						
Touch technology	Infrared Touch					
Touch type	20-point high precision writing(up to 40 points)					
Touch resolution	32767 (W)×32767 (D)					
Touch accuracy	±1mm (more than 90% touch area)					
Touch Tool	Fingers, touch pens and other opaque objects					
Response Time	<6ms					
Writing Height	<2mm					
Palm Detection	Yes					
Annotation Over Any Source	Yes					
Operating system	Windows/Linux/Mac/Android/Chrome					
Android system						
CPU	Quad-core ARM Cortex-A55					
GPU	Mali-G52 MP2(2EE)					
RAM	3GB/4GB/8gb					
ROM	32GB/64GB/128GB EMMC					
Android system	Android 8/Android 9/ Android 11					
Wireless	WIFI2.4G (5G is optional) wifi hotspot 2.4G+5G					
Bluetooth	optional					
Software pre-install	google playstore, whiteboard, wireless display(default is Transcreen), chrome, wps. VIP etc.					
System language	English, Russian, French, Spanish, Portuguese, Arabic, Italian, Japanese, Korean, Polish, Thai					
Front interface						
HDMI in	1					
Touch USB Type-B	1					
USB	3					
Light sensor	Optional					
Power	1					

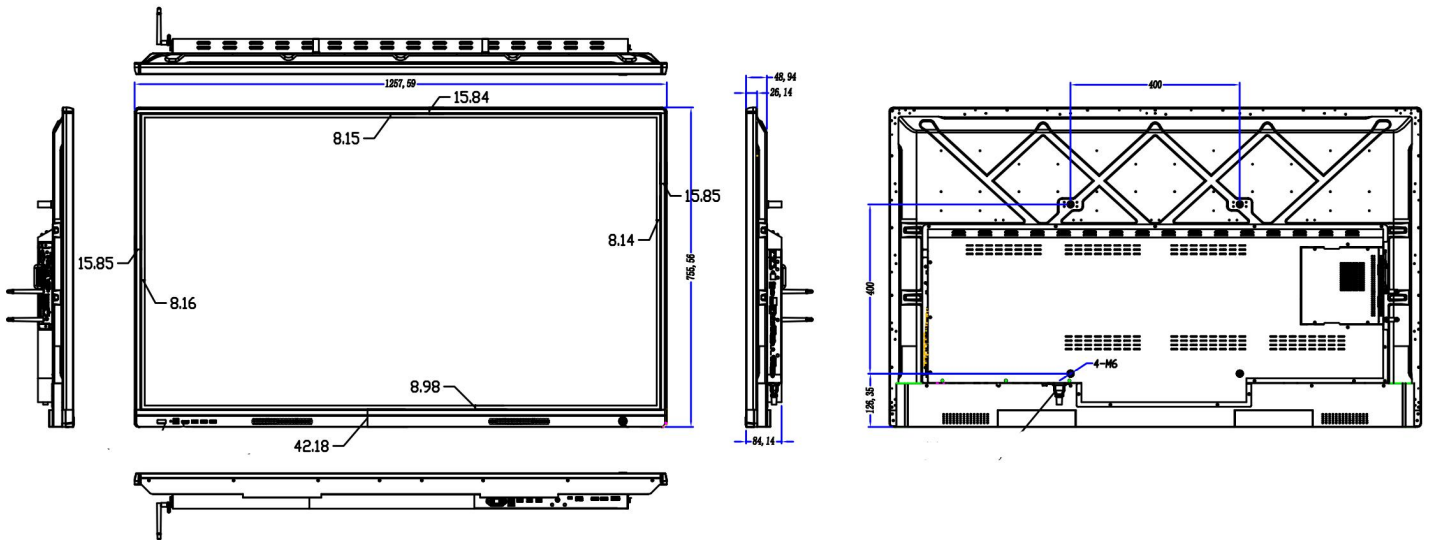


Items	55INH	65INH	75INH	86INH	8INH	110INH
Rear interface (default)						
HDMI IN				2		
AV IN				1		
AV OUT				1		
RJ45				1		
TOUCH USB TYPE-B				1		
EARPHONE				1		
USB 2.0				1		
USB 3.0				1		
RS232 UART				1		
SPDIF OUT				1		
OPS slot	1*80pins(55/65inch POWER CONSUMPTION≤ 110W; 75/86/98inch ≤ 150W)					
Optional Higher specs. with more interfaces option						
HDMI OUT	1					
TF IN	1					
MIC IN	1					
VGA IN	1					
VGA AUDIO IN	1					
RJ 45 OUT	1					
USB 3.0	4					
YPBPR IN	1					
DP	1					
TYPE-C	1					
Audio						
Speaker	2*10W/2*15W					
Power Supply						
Voltage	AC 110V-240V, 50HZ/60HZ					
Working power consumption	89W	110W	158W	199W	238W	680W
Standby power consumption	0.3W	0.3W	0.3W	0.5W	0.5W	0.5W
Environmental						
Operating Temperature	0°C to 40°C (32°F to 104°F)					
Storage Temperature	-15°C to 55°C (-5°F to 131°F)					
Operating Humidity	5% to 80% non-condensing humidity					
Storage Humidity	5% to 90% non-condensing humidity					
Physical specifications						
Panel Dimensions	1258×756×84mm	1485×887×92mm	1708×1013×92mm	1953.3×1151.4×92mm	2216.3×1317.4×108mm	2499.6×1474.2×95.5mm
Packed Dimensions	1368*200*890mm	1600*200*1075mm	1820*200*1200mm	2160*285*1355mm	2280*285*1555mm	2606×1593×200mm
Net Weight	31kg	48kg	60kg	75kg	98kg	120kg
Packed Weight	36kg	56kg	70kg	90kg	120kg	150kg

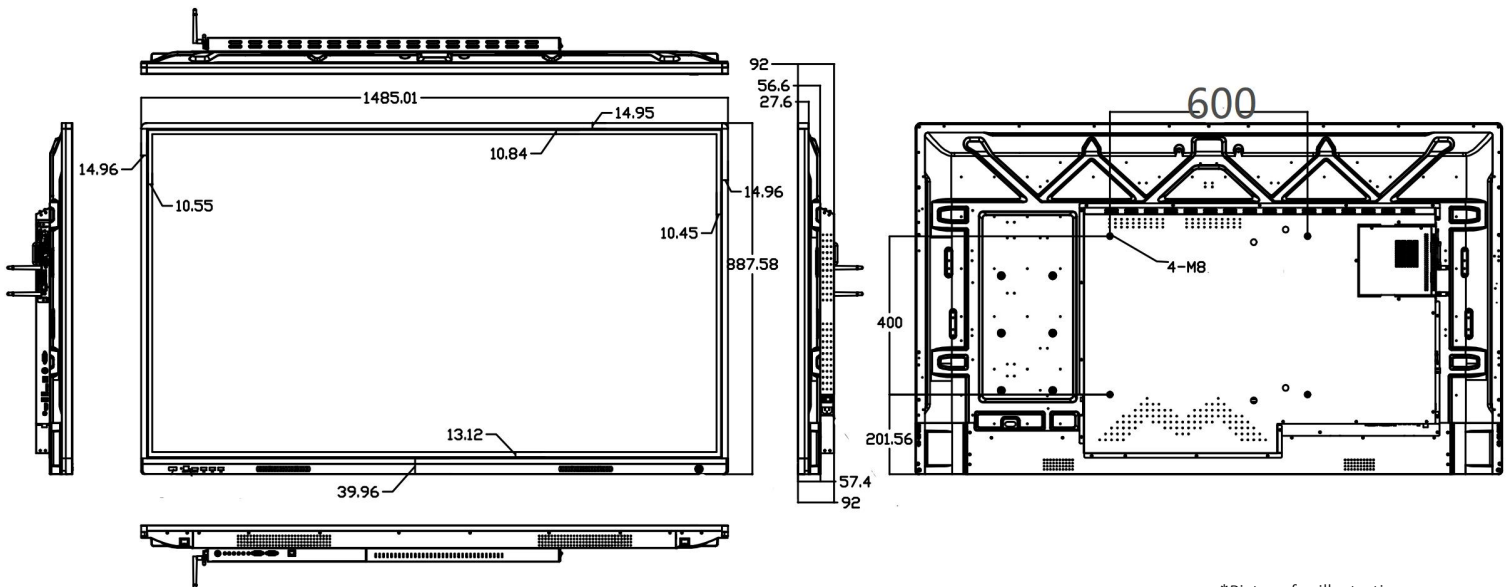
VESA Mount Dimensions	400×400mm	600×400mm	800×400mm	800×400mm	800*600mm	1000*800mm
Accessories	Power cable 3m*1, Writing pen*2, Wall mount bracket*1, Remote control*1					
Optional Module						
OPS module	Intel OPS standard module, 80 pins, 195 x 180 x 30 mm or 42mm					
Camera and Mic-iphone	Standard built in 8mega pixels camera and 8 arrays microphone					

Technical Drawings:

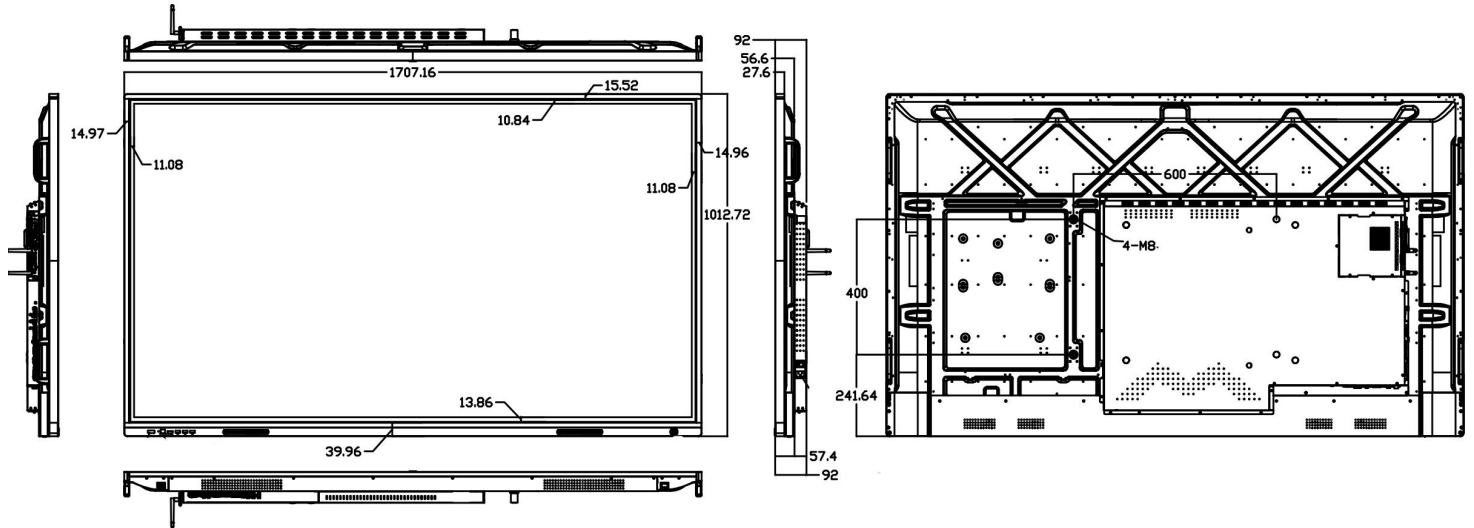
55inch drawing:



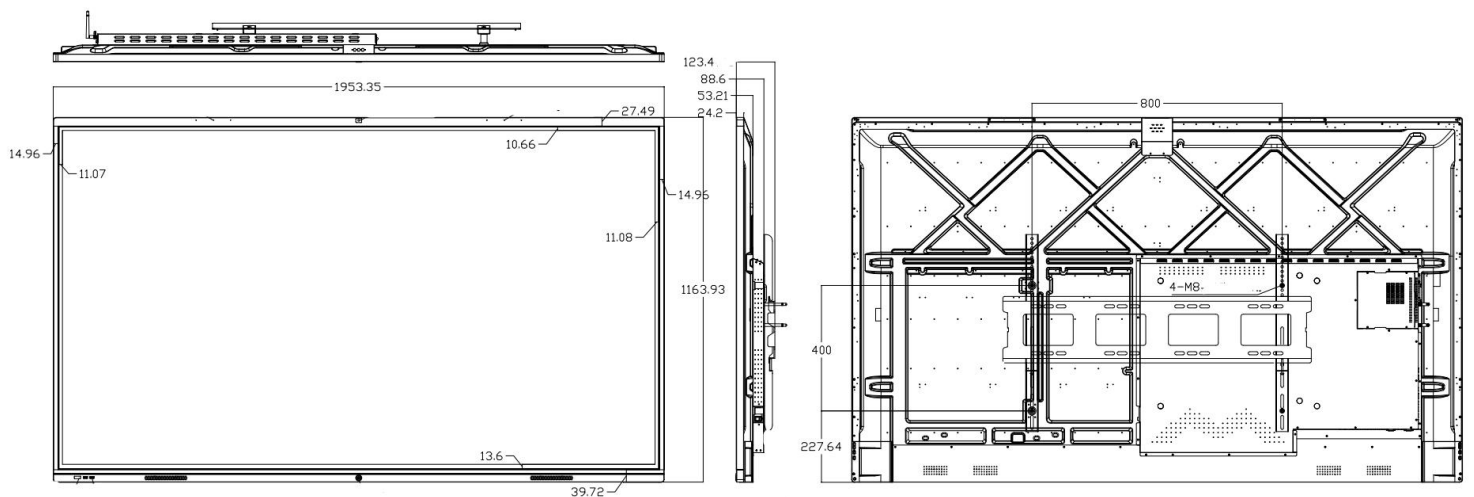
65inch drawing:



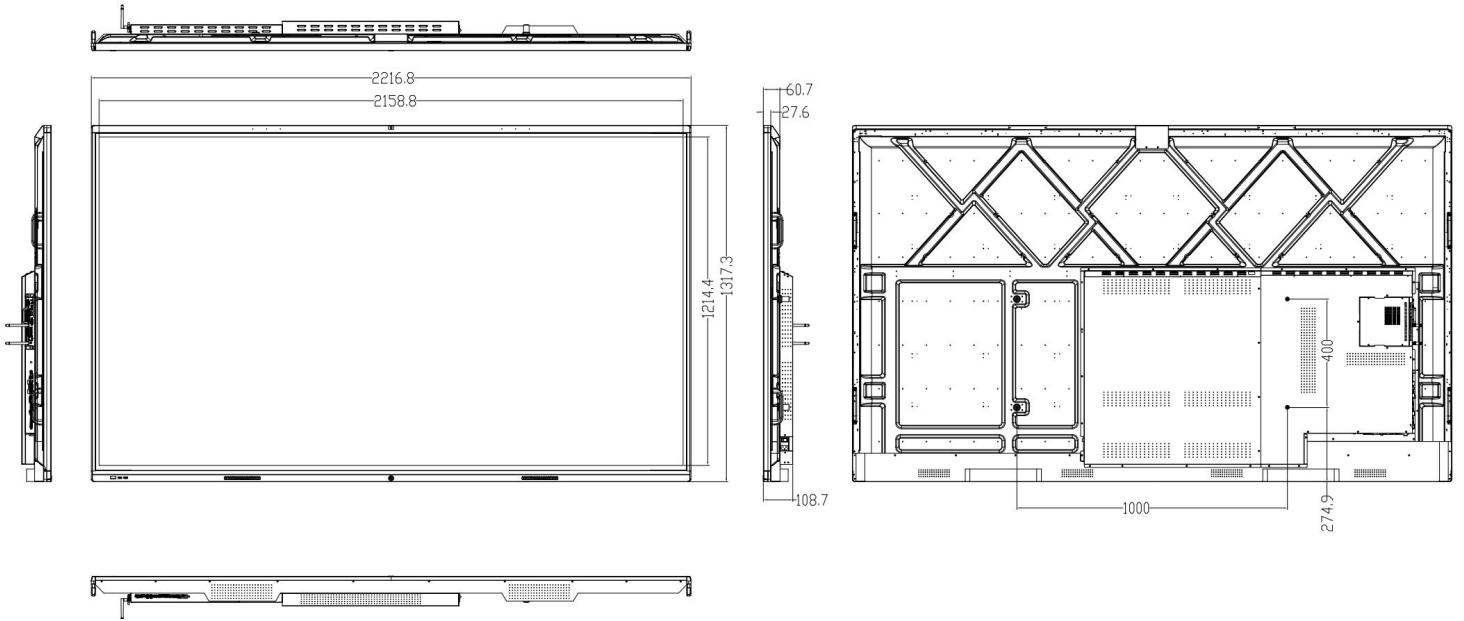
75inch drawing:



86inch drawing:



98inch drawing:



110inch drawing:

